

## LED LINEAR STRIP LIGHT



### Product Description

The new generation of LS Series Linear Strips (LSL Series) features field-selectable wattages, CCTs and field-installable controls. Offered in three sizes (2', 4' and 8'), with each providing nine combinations of color temperatures and wattages, as well as optional controls. With its versatility and long life, the SELSL Series can address a variety of commercial, industrial, retail and residential application needs, including storage/utility, workshop, task or general area lighting.

### Features:

- CCT and Wattage selectable (9 possible combinations with each fixture)
- Controls Ready – can be paired with the new controls nodes
- 0-10V dimming standard
- CRI>80
- Universal voltage 120-277V
- L70 lumen maintenance of 100,000 hours
- Sheet metal (steel) housing and PMMA lens for smooth diffused distribution
- Operating temperature: -4°F to 122°F, except fixtures with EM option
- On EM mode, the fixture CCT will be set to 5000K
- Default setting for WCS models is set to lower wattage and 4000K
- Fixture may be surface, pendant, or stem mounted (accessories sold separately)
- On EM mode, the fixture output a minimum of 700 lumens for 90 minutes, when fully charged

### Controls Ready:

Controls Ready (CR) fixtures allows for quick and easy in-field installation (plug and play) of controls. Simply purchase any CR fixture and the required Controls Node and you're all set! See the accessory table for all controls options available for this fixture.



### Ordering Information

FAMILY	SIZE	VOLTAGE	WATTAGE (NOMINAL)	CCT SELECT	CONTROLS OPTIONS	OPTIONS
SELSL= Linear Strip Gen 2	2= 24" 4= 48" 8= 96"	U= 120-277V	20W= 20/25/30W 23W= 23/34/47W 65W= 65/75/90W	CS= Color Selectable (3500K/4000K/5000K)	CR= Control Ready	[BLANK]= None EM= Emergency Back-up

EM is not possible on the 2ft model.  
 Default setting for WCS models is set to lowest wattage and 4000K.

Specifications	SELSL-2		
	20W	25W	30W
Power Consumption	20W	25W	30W
Lumens Delivered	2,600 lm	3,250 lm	3,900 lm
Efficacy	130 lm/w	130 lm/w	130 lm/w
CRI	>=80		
Color Temperature (K)	3000K, 4000K, 5000K		
L70 Lumen maintenance	>=100,000 hours		
Power Factor	>=0.9		
Input Voltage	120-277V		
Operating Temperature	-4°F to 122°F (-20°C to 50°F)		
Qualifications	cULus listed, FCC, Rohs Complaint		
Environment	UL listed for Damp location		
Warranty	5 Years warranty		

See page 1 header

Specifications	SELSL-4		
	23W	34W	47W
Power Consumption	23W	34W	47W
Lumens Delivered	2,990 lm	4,420 lm	6,110 lm
Efficacy	130 lm/w	130 lm/w	130 lm/w
CRI	>=80		
Color Temperature (K)	3000K, 4000K, 5000K		
L70 Lumen maintenance	>=100,000 hours		
Power Factor	>=0.9		
Input Voltage	120-277V		
Operating Temperature	-4°F to 122°F (-20°C to 50°F), except EM units. EM units: +32°F to +122°F (0°C to +50°C)		
Qualifications	cULus listed, FCC, Rohs Complaint		
Environment	UL listed for Damp location		
Warranty	5 Years warranty		

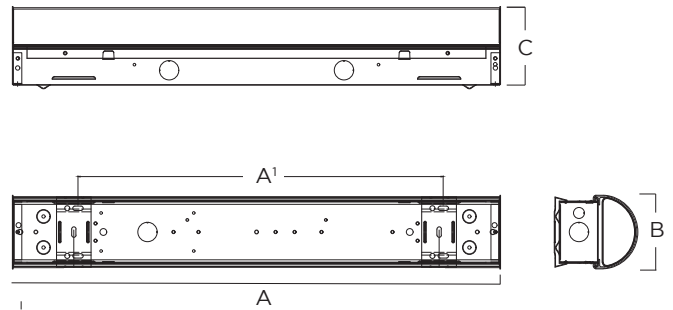
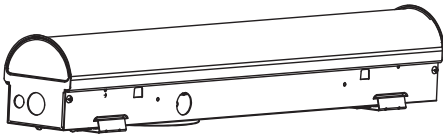
See page 1 header

## Specifications

Specifications	SELSL-8		
	65W	75W	90W
Power Consumption	65W	75W	90W
Lumens Delivered	8,450 lm	9,750 lm	11,700 lm
Efficacy	130 lm/w	130 lm/w	130 lm/w
CRI	>=80		
Color Temperature (K)	3000K, 4000K, 5000K		
L70 Lumen maintenance	>=100,000 hours		
Power Factor	>=0.9		
Input Voltage	120-277V		
Operating Temperature	-4°F to 122°F (-20°C to 50°F), except EM units. EM units: +32°F to +122°F (0°C to +50°C)		
Qualifications	cULus listed, FCC, Rohs Compliant		
Environment	UL listed for Damp location		
Warranty	5 Years warranty		

See page 1 header

## Dimensions



PRODUCT	A (L)	A <sup>1</sup>	B (W)	C (H)
2U20WCSCRXxx	22.2"	16.6"	3.3"	3.6"
4U23WCSCRXxx	47.3"	42.1"	3.3"	3.6"
8U65WCSCRXxx	94.2"	88.6"	3.3"	3.6"